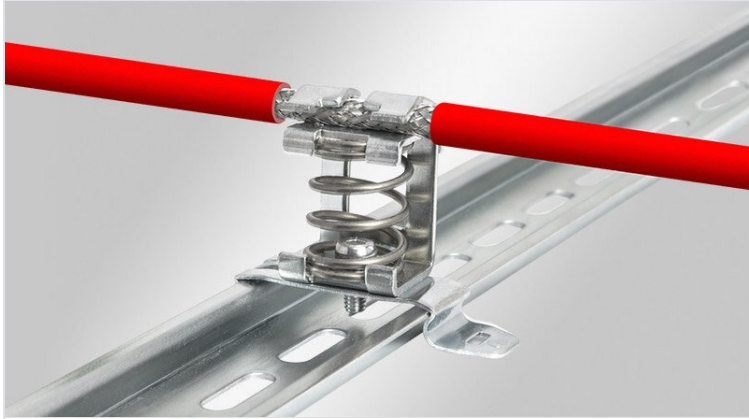


# EMC shield brackets with compression spring

with or without integrated strain relief



EMC shield brackets with compression spring are used, where the shield of cables must be connected to the earth potential. They are easy to use and effective in earthing single cable shields.

Versions with strain relief: The cable itself is strain-relieved using cable ties over the outer cable sheath in accordance with EN 62444 and thus protects the cable shield, as it is not mechanically designed for tensile forces. Strain relief can lead to damage, including to the individual wires underneath.

SK shield brackets can be assembled on a mounting plate with screws, on DIN-rails shape C, 35 mm top hat rails or on 10 x 3 mm bus bars.



RoHS  
compliant



Made in  
Germany

## Specifications

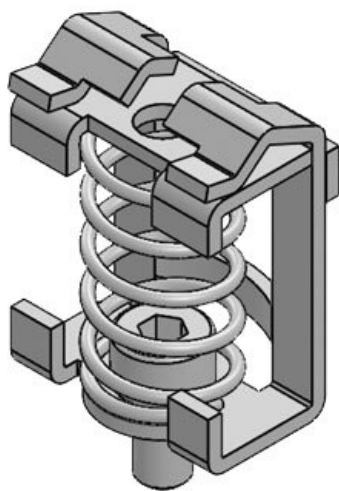
<b>Material</b>	Shield bracket: Mild steel, galvanically zinc plated
<b>Flame class</b>	
<b>Mounting options</b>	Screw type mounting, Snap-in

## Advantages & Benefits

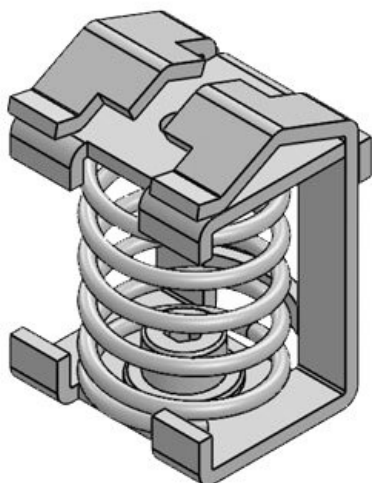
- The spring design permanently maintains contact to the cable shield
- Partially with integrated strain relief
- Shield contact and strain relief separated
- Easy assembly and removal
- Versatile mounting options
- Large clamping areas, therefore less product sizes needed to cover a large cable diameter range

## Product types & Sizes

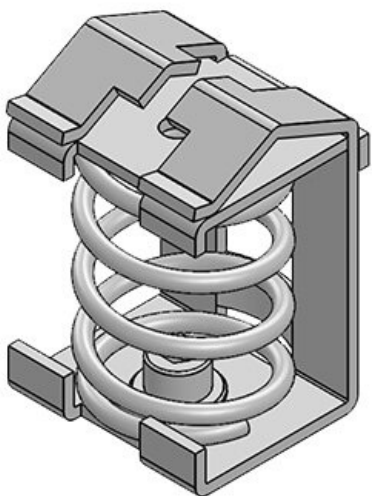
SK 3-8



Part No.	<b>36222.002</b>	Width	<b>13 mm</b>
EAN	<b>4251269302</b>	Height	<b>26 mm</b>
	<b>190</b>	Hole size	<b>M4</b>
Package quantity	<b>10</b>	No. of screw holes	<b>1</b>
For max. no. of cables	<b>1</b>	Diam. of screw holes	<b>4,2 mm</b>
Min. shield diam.	<b>3 mm</b>		
Max. shield diam.	<b>8 mm</b>		
Length	<b>18,5 mm</b>		

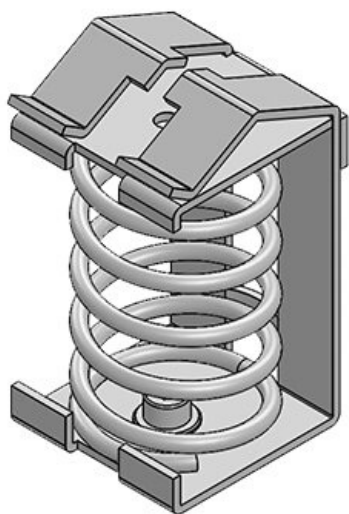


Part No.	<b>36224.002</b>	Width	<b>20 mm</b>
EAN	<b>4251269302</b>	Height	<b>32 mm</b>
	<b>206</b>	Hole size	<b>M4</b>
Package quantity	<b>10</b>	No. of screw holes	<b>1</b>
For max. no. of cables	<b>1</b>	Diam. of screw holes	<b>4,2 mm</b>
Min. shield diam.	<b>4 mm</b>		
Max. shield diam.	<b>13,5 mm</b>		
Length	<b>22 mm</b>		

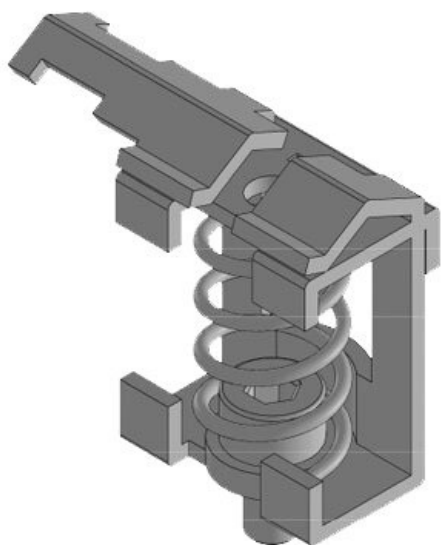


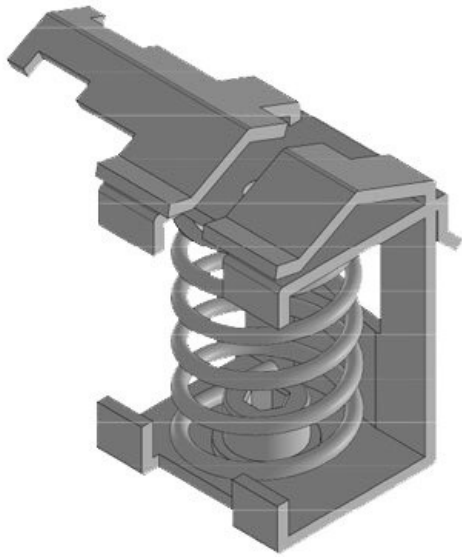
Part No.	<b>36226</b>	Width	<b>25 mm</b>
EAN	<b>4251269302</b>	Height	<b>41 mm</b>
	<b>213</b>	Hole size	<b>M4</b>
Package quantity	<b>10</b>	No. of screw holes	<b>1</b>
For max. no. of cables	<b>1</b>	Diam. of screw holes	<b>4,2 mm</b>
Min. shield diam.	<b>10 mm</b>		
Max. shield diam.	<b>20 mm</b>		
Length	<b>27 mm</b>		

Part No.	<b>36228</b>	Width	<b>37 mm</b>
EAN	<b>4251269302</b>	Height	<b>64 mm</b>
	<b>220</b>	Hole size	<b>M4</b>
Package quantity	<b>10</b>	No. of screw holes	<b>1</b>
For max. no. of cables	<b>1</b>	Diam. of screw holes	<b>4,2 mm</b>
Min. shield diam.	<b>15 mm</b>		
Max. shield diam.	<b>32 mm</b>		
Length	<b>33,5 mm</b>		

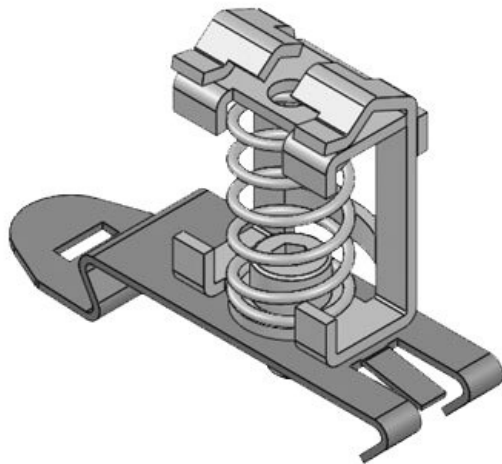


Part No.	<b>36222</b>	Length	<b>30,5 mm</b>
EAN	<b>4251269302</b>	Width	<b>12,8 mm</b>
	<b>190</b>	Height	<b>31,8 mm</b>
Package quantity	<b>10</b>	Hole size	<b>M4</b>
Strain relief (acc. to EN 62444)	<b>1</b>	No. of screw holes	<b>1</b>
For max. no. of cables	<b>1</b>	Diam. of screw holes	<b>4,2 mm</b>
Min. shield diam.	<b>3 mm</b>		
Max. shield diam.	<b>8 mm</b>		





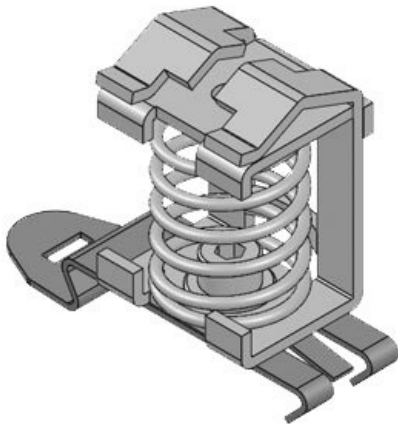
Part No.	<b>36224</b>	Length	<b>36 mm</b>
EAN	<b>4251269302</b>	Width	<b>22 mm</b>
	<b>206</b>	Height	<b>37,8 mm</b>
Package quantity	<b>10</b>	Hole size	<b>M4</b>
Strain relief (acc. to EN 62444)	<b>1</b>	No. of screw holes	<b>1</b>
For max. no. of cables		Diam. of screw holes	<b>4,2 mm</b>
Min. shield diam.	<b>4 mm</b>		
Max. shield diam.	<b>13,5 mm</b>		



Part No.	<b>36500.002</b>	Width	<b>14 mm</b>
EAN	<b>4251269302</b>	Height	<b>32,7 mm</b>
	<b>985</b>	Mounting height	<b>26 mm</b>
Package quantity	<b>10</b>		
For max. no. of cables			
Min. shield diam.	<b>3 mm</b>		
Max. shield diam.	<b>8 mm</b>		
Length	<b>50 mm</b>		

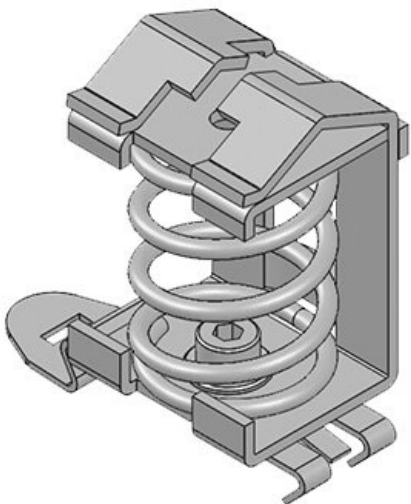
SF|SK 4-13.5

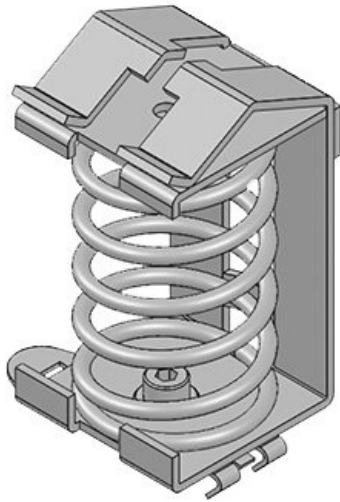
Part No.	<b>36502.002</b>	Width	<b>20 mm</b>
EAN	<b>4251269302</b>	Height	<b>38,7 mm</b>
	<b>992</b>	Mounting	<b>32 mm</b>
Package quantity	<b>10</b>	height	
For max. no. of	<b>1</b>		
cables			
Min. shield diam.	<b>4 mm</b>		
Max. shield diam.	<b>13,5 mm</b>		
Length	<b>50 mm</b>		



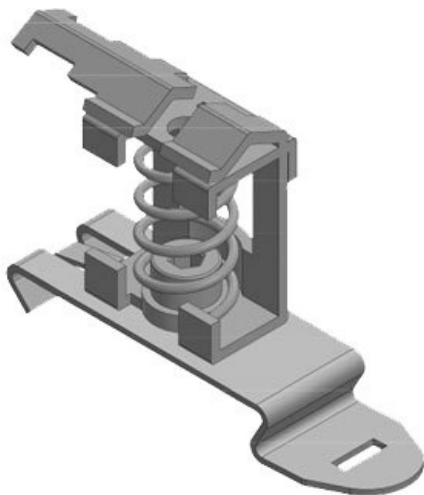
SF|SK 10-20

Part No.	<b>36504</b>	Width	<b>25 mm</b>
EAN	<b>4251269303</b>	Height	<b>47,7 mm</b>
	<b>005</b>	Mounting	<b>41 mm</b>
Package quantity	<b>10</b>	height	
For max. no. of	<b>1</b>		
cables			
Min. shield diam.	<b>10 mm</b>		
Max. shield diam.	<b>20 mm</b>		
Length	<b>50 mm</b>		





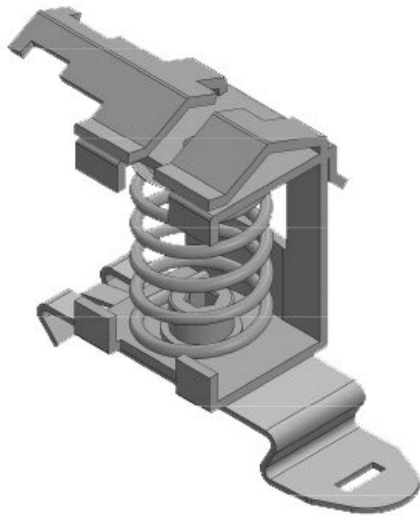
Part No.	<b>36506</b>	Width	<b>37 mm</b>
EAN	<b>4251269303</b>	Height	<b>70,7 mm</b>
	<b>012</b>	Mounting height	<b>64 mm</b>
Package quantity	<b>10</b>		
For max. no. of cables	<b>1</b>		
Min. shield diam.	<b>15 mm</b>		
Max. shield diam.	<b>32 mm</b>		
Length	<b>50 mm</b>		



Part No.	<b>36500</b>	Length	<b>53,3 mm</b>
EAN	<b>4251269319</b>	Width	<b>14 mm</b>
	<b>303</b>	Height	<b>32,8 mm</b>
Package quantity	<b>10</b>	Mounting height	<b>26,7 mm</b>
Strain relief (acc. to EN 62444)	<b>1</b>		
For max. no. of cables	<b>1</b>		
Min. shield diam.	<b>3 mm</b>		
Max. shield diam.	<b>8 mm</b>		

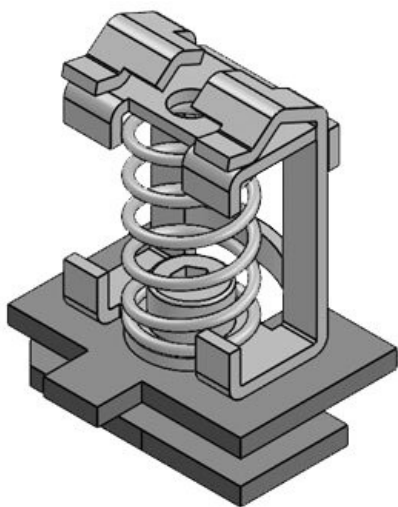
SF|SKZ 4-13.5

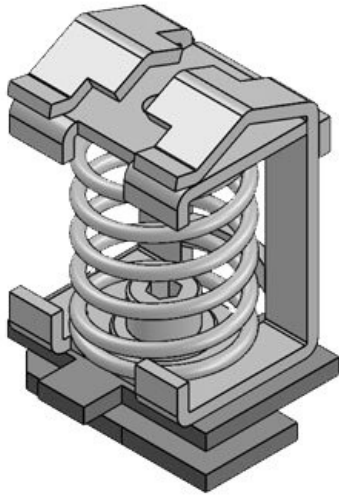
Part No.	<b>36502</b>	Length	<b>57,3 mm</b>
EAN	<b>4251269319</b>	Width	<b>21,7 mm</b>
	<b>310</b>	Height	<b>38,9 mm</b>
Package quantity	<b>10</b>	Mounting height	<b>32,7 mm</b>
Strain relief (acc. to EN 62444)	<b>1</b>		
For max. no. of cables	<b>1</b>		
Min. shield diam.	<b>4 mm</b>		
Max. shield diam.	<b>13,5 mm</b>		



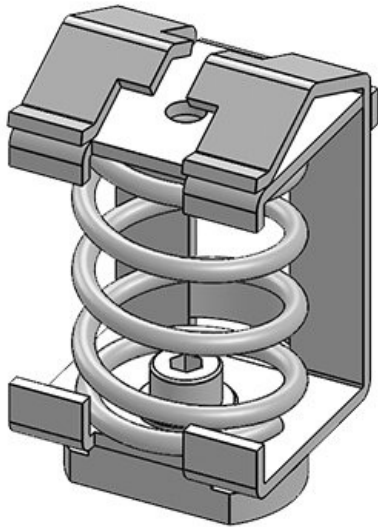
SC|SK 3-8

Part No.	<b>36696.002</b>	Width	<b>12,5 mm</b>
EAN	<b>4251269303</b>	Height	<b>32,4 mm</b>
	<b>180</b>		
Package quantity	<b>10</b>		
For max. no. of cables	<b>1</b>		
Min. shield diam.	<b>3 mm</b>		
Max. shield diam.	<b>8 mm</b>		
Length	<b>26 mm</b>		





Part No.	<b>36700.002</b>	Width	<b>20,3 mm</b>
EAN	<b>4251269303</b>	Height	<b>38,5 mm</b>
	<b>197</b>		
Package quantity	<b>10</b>		
For max. no. of cables	<b>1</b>		
Min. shield diam.	<b>4 mm</b>		
Max. shield diam.	<b>13,5 mm</b>		
Length	<b>26 mm</b>		

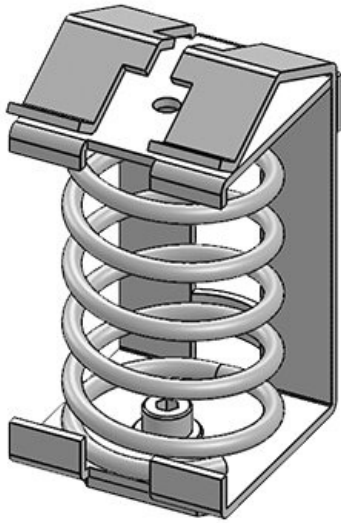


Part No.	<b>36704</b>	Width	<b>25,3 mm</b>
EAN	<b>4251269303</b>	Height	<b>47,5 mm</b>
	<b>203</b>		
Package quantity	<b>10</b>		
For max. no. of cables	<b>1</b>		
Min. shield diam.	<b>10 mm</b>		
Max. shield diam.	<b>20 mm</b>		
Length	<b>26 mm</b>		



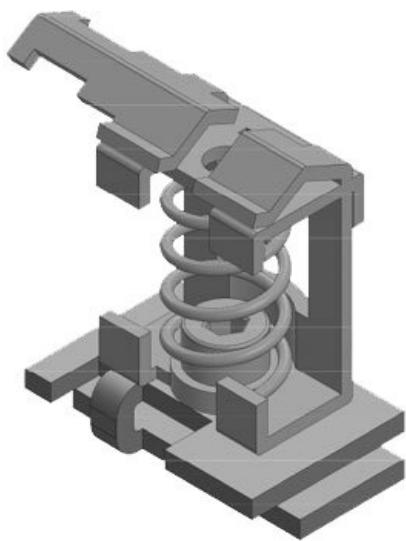
SC|SK 15-32

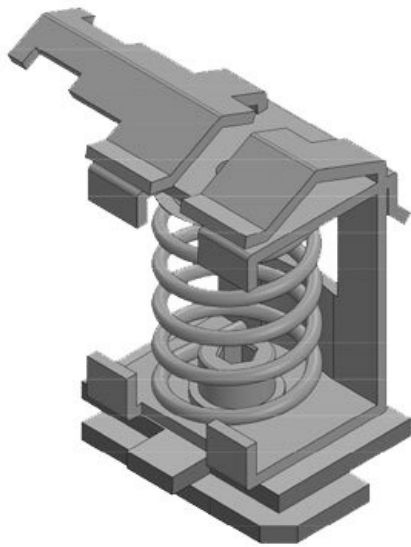
Part No.	<b>36708</b>	Width	<b>36,8 mm</b>
EAN	<b>4251269303</b>	Height	<b>70,5 mm</b>
	<b>210</b>		
Package quantity	<b>10</b>		
For max. no. of cables	<b>1</b>		
Min. shield diam.	<b>15 mm</b>		
Max. shield diam.	<b>32 mm</b>		
Length	<b>26 mm</b>		



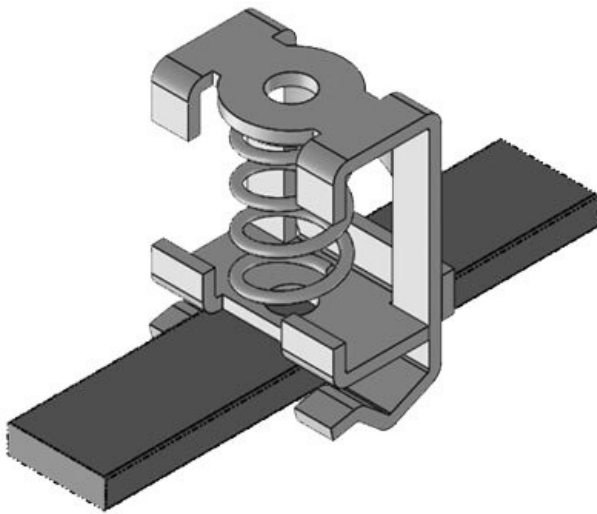
SC|SKZ 3-8

Part No.	<b>36696</b>	Length	<b>30,5 mm</b>
EAN	<b>4251269319</b>	Width	<b>22,5 mm</b>
	<b>341</b>	Height	<b>32,6 mm</b>
Package quantity	<b>10</b>		
Strain relief (acc. to EN 62444)	<b>1</b>		
For max. no. of cables	<b>1</b>		
Min. shield diam.	<b>3 mm</b>		
Max. shield diam.	<b>8 mm</b>		





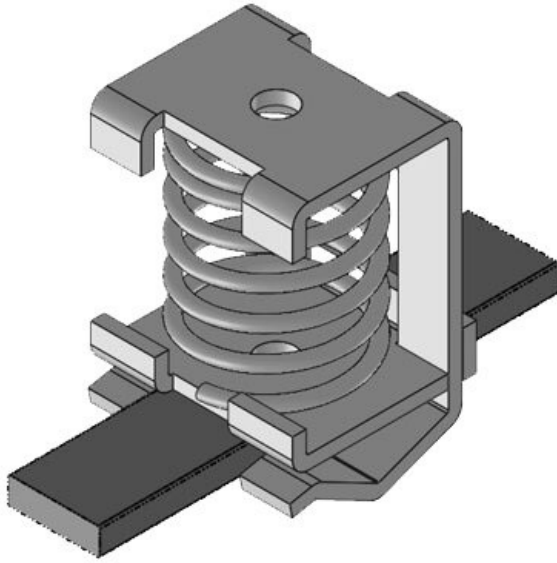
Part No.	<b>36700</b>	Length	<b>36 mm</b>
EAN	<b>4251269319</b>	Width	<b>22,5 mm</b>
	<b>358</b>	Height	<b>38,7 mm</b>
Package quantity	<b>10</b>		
Strain relief (acc. to EN 62444)	<b>1</b>		
For max. no. of cables	<b>1</b>		
Min. shield diam.	<b>4 mm</b>		
Max. shield diam.	<b>13,5 mm</b>		



Part No.	<b>36235.002</b>	Width	<b>13 mm</b>
EAN	<b>4251269302</b>	Height	<b>26 mm</b>
	<b>282</b>		
Package quantity	<b>10</b>		
For max. no. of cables	<b>1</b>		
Min. shield diam.	<b>3 mm</b>		
Max. shield diam.	<b>8 mm</b>		
Length	<b>18,5 mm</b>		

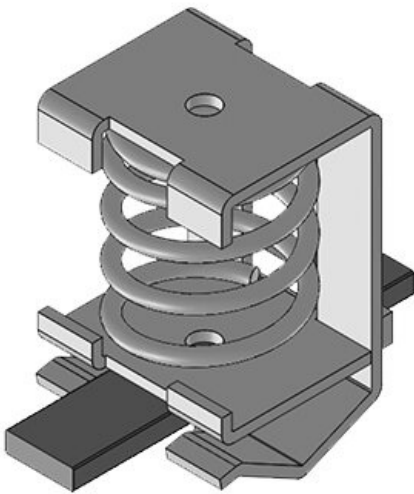
SS|SK 4-13.5

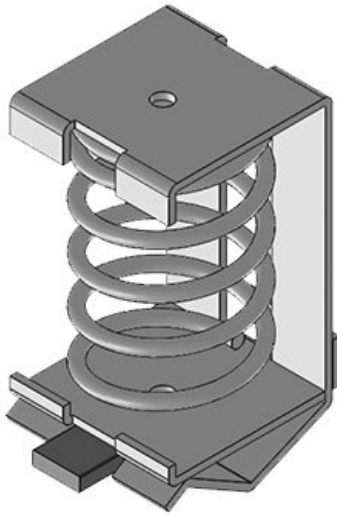
Part No.	<b>36236.002</b>	Width	<b>20 mm</b>
EAN	<b>4251269302</b>	Height	<b>32 mm</b>
	<b>299</b>		
Package quantity	<b>10</b>		
For max. no. of cables	<b>1</b>		
Min. shield diam.	<b>4 mm</b>		
Max. shield diam.	<b>13,5 mm</b>		
Length	<b>22 mm</b>		



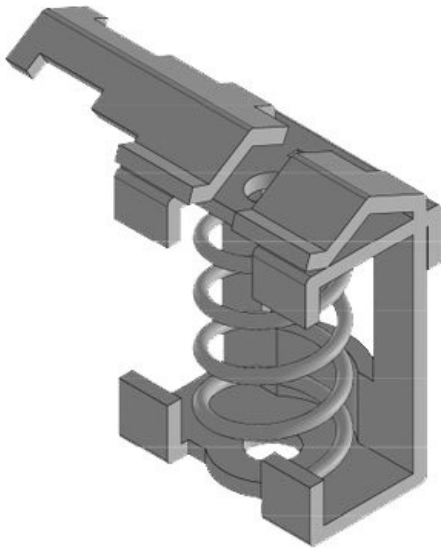
SS|SK 10-20

Part No.	<b>36237</b>	Width	<b>25 mm</b>
EAN	<b>4251269302</b>	Height	<b>41 mm</b>
	<b>305</b>		
Package quantity	<b>10</b>		
For max. no. of cables	<b>1</b>		
Min. shield diam.	<b>10 mm</b>		
Max. shield diam.	<b>20 mm</b>		
Length	<b>27 mm</b>		





Part No.	<b>36238</b>	Width	<b>36 mm</b>
EAN	<b>4251269302</b>	Height	<b>64 mm</b>
	<b>312</b>		
Package quantity	<b>10</b>		
For max. no. of cables	<b>1</b>		
Min. shield diam.	<b>15 mm</b>		
Max. shield diam.	<b>32 mm</b>		
Length	<b>33,5 mm</b>		



Part No.	<b>36235</b>	Length	<b>30,5 mm</b>
EAN	<b>4251269319</b>	Width	<b>12,8 mm</b>
	<b>327</b>	Height	<b>25,9 mm</b>
Package quantity	<b>10</b>		
Strain relief (acc. to EN 62444)	<b>1</b>		
For max. no. of cables	<b>1</b>		
Min. shield diam.	<b>3 mm</b>		
Max. shield diam.	<b>8 mm</b>		

Part No.	<b>36236</b>	Length	<b>36 mm</b>
EAN	<b>4251269319</b>	Width	<b>22 mm</b>
	<b>334</b>	Height	<b>31,9 mm</b>
Package quantity	<b>10</b>		
Strain relief (acc. to EN 62444)	<b>1</b>		
For max. no. of cables	<b>1</b>		
Min. shield diam.	<b>4 mm</b>		
Max. shield diam.	<b>13,5 mm</b>		

